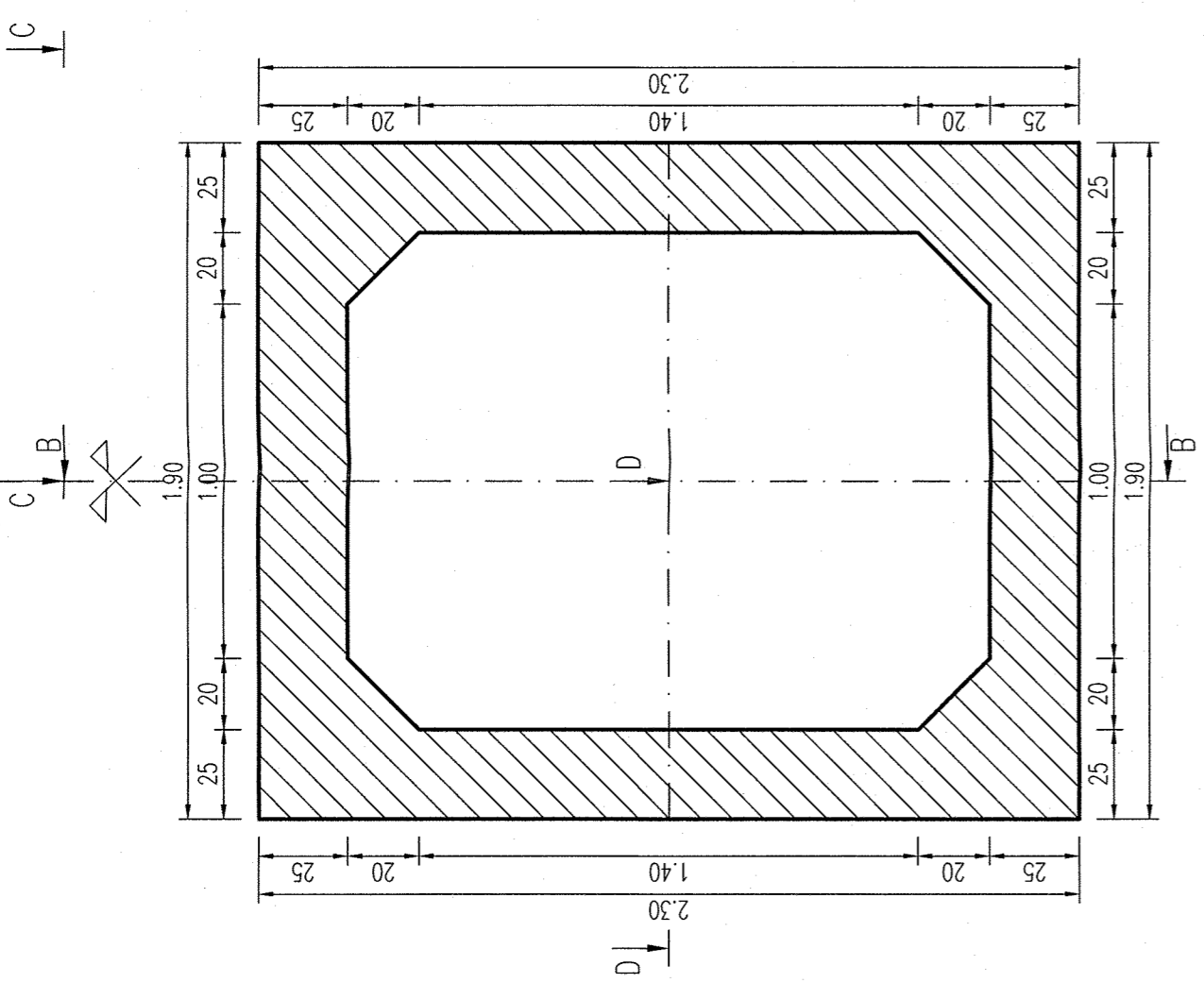
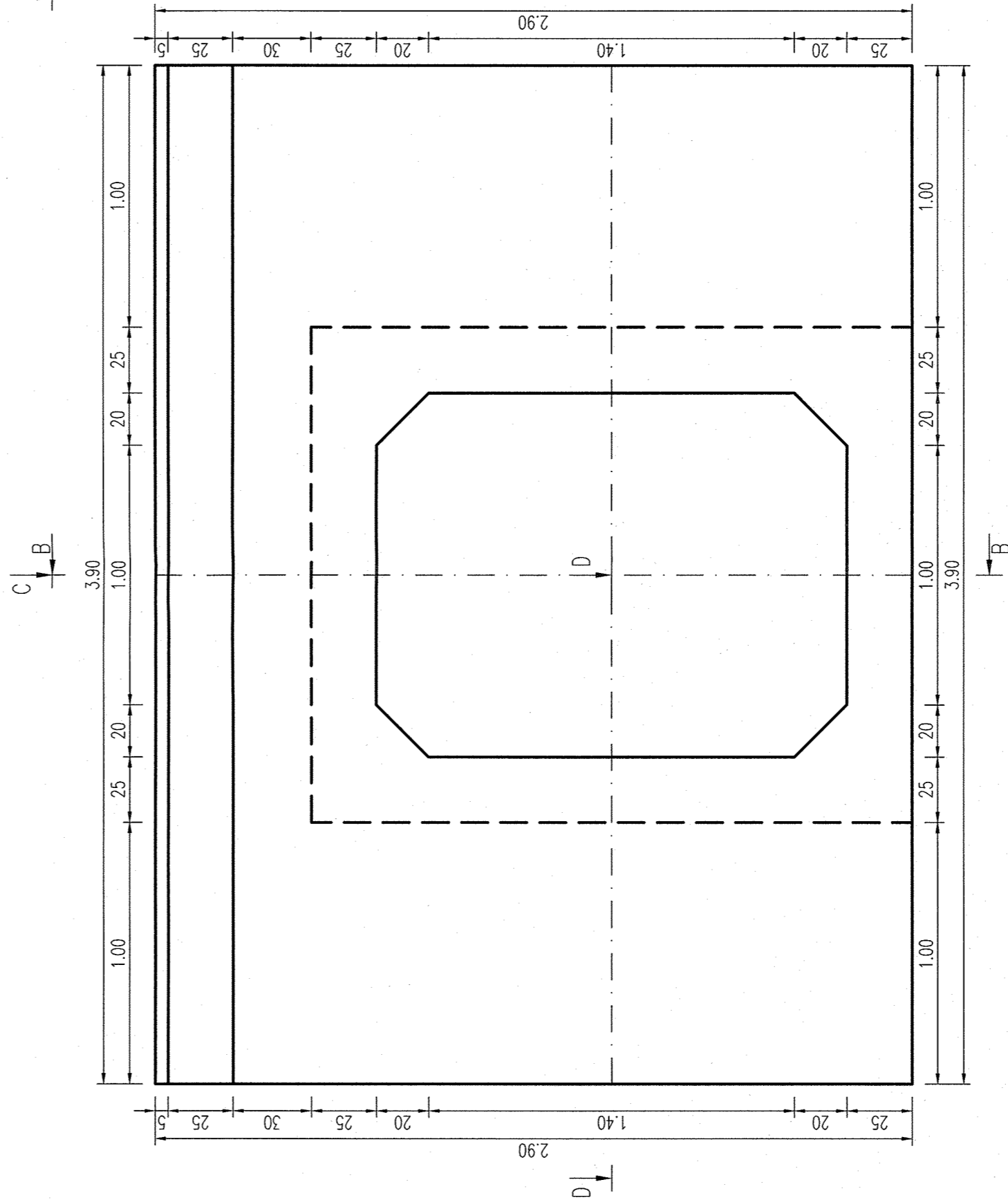


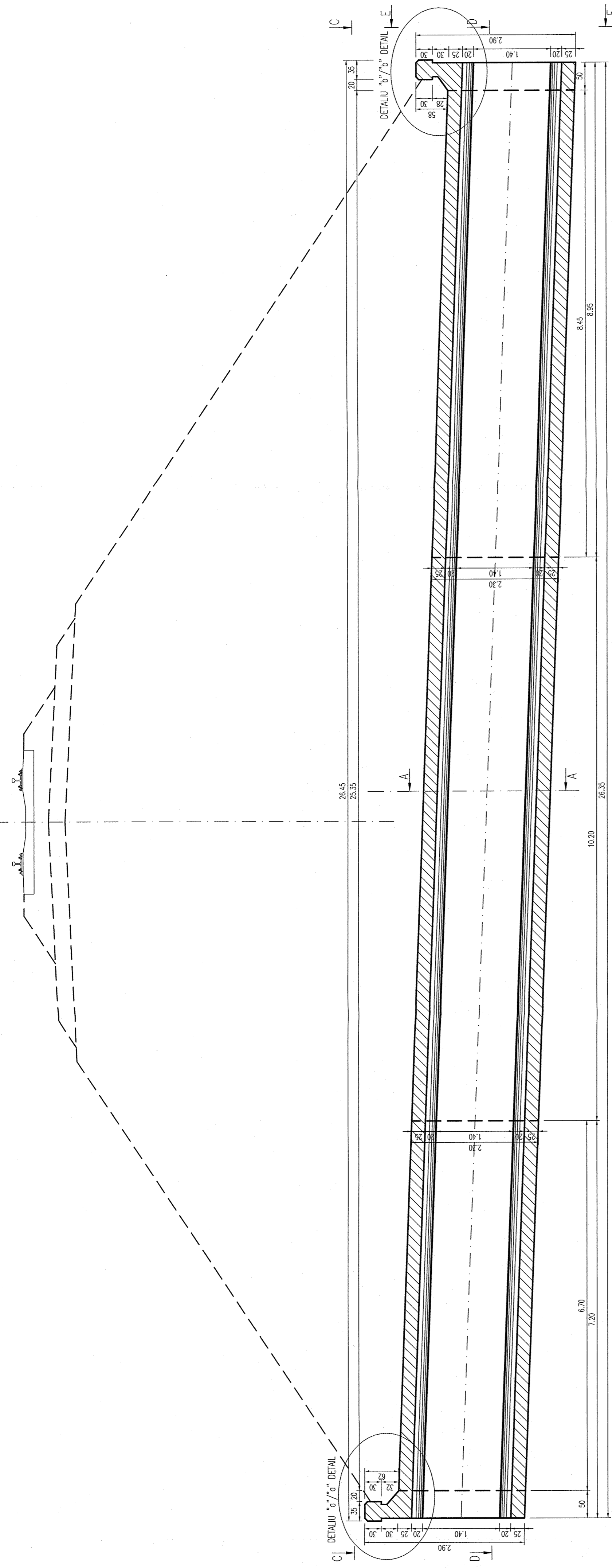
SECTIUNE TRANSVERSALA A-A / A-A CROSS SECTION
Scara 1:20 / Scale 1:20



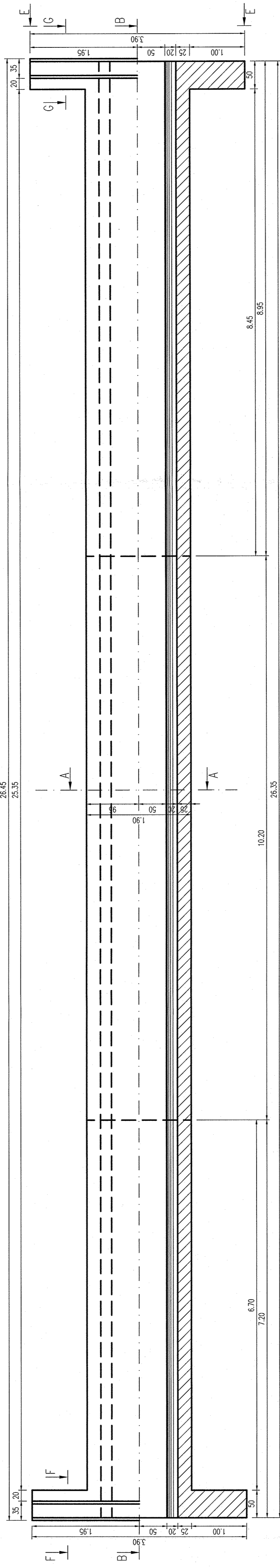
VEDERE LATERALA E-E / E-E LATERAL VIEW
Scara 1:20 / Scale 1:20



SECTIUNE LONGITUDINALA B-B / B-B LONGITUDINAL SECTION
Scara 1:50 / Scale 1:50



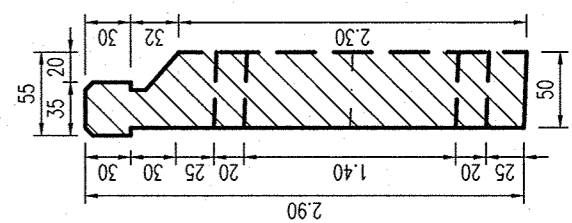
VEDERE PLANA C-C / C-C PLAN VIEW
Scara 1:50 / Scale 1:50



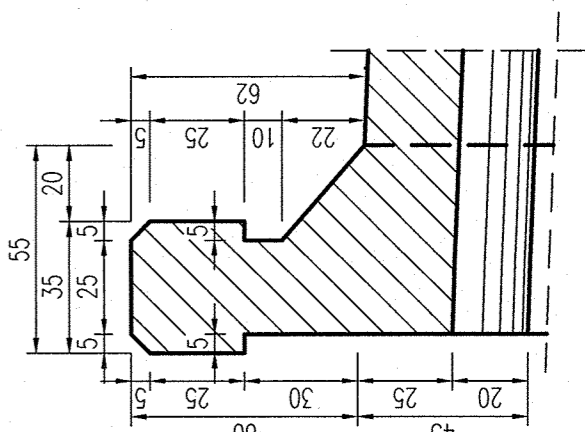
SECTIUNE PLANA D-D / D-D PLAN SECTION
Scara 1:50 / Scale 1:50



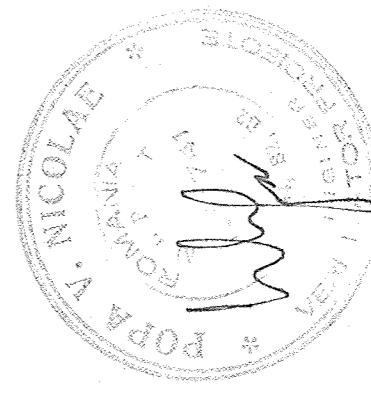
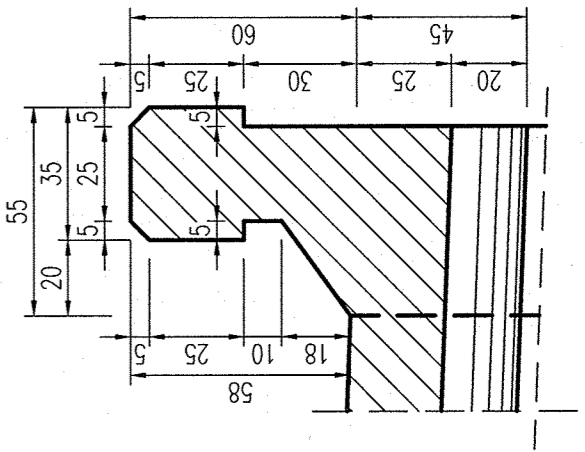
SECTIUNE F-F / F-F SECTION
Scara 1:50 / Scale 1:50



DETALIU "a"/"a" DETAIL
Scara 1:20 / Scale 1:20



DETALIU "b"/"b" DETAIL
Scara 1:20 / Scale 1:20



B	A	Data Date	Modificare / Revision Amplasament / Reabilitare PROJECTANT ROMANIAN NATIONAL COMPANY CONSPECT	Beneficiar Beneficiary: AUTORITATEA CONTRACTANTIA / CONTRACTING AUTHORITY Ministerul Economiei si Finanelor Publice / Ministry of Economy and Finance Ministerul Transporturilor / Ministry of Transport	Contract Contract 10302007 PROIECTIA SI REALIZAREA Lucrului de Proiectare si Realizare a Sistemului de Siguranta de Circulatie / Design and Construction of the Traffic Safety System	Finantare / Funding EUROPEAN UNION UNIONE EUROPEANA EUROPEAN UNION	Pozitie / Position POZITIA 2007-2013	Program / Program PORTOFOLIUL DE PROIECTE PHASE CBS 2007 / PHASE CBS 2005 PROJECTS PORTFOLIO	Proiect / Project Proiect de Lucru / Work Order Proiect de Lucru / Work Order Proiect de Lucru / Work Order	Data / Date 06.2009	Forma / Form Plan de Amenajare / Layout Plan Plan de Amenajare / Layout Plan	Numar / No. PT 224	Scrie / Write 04